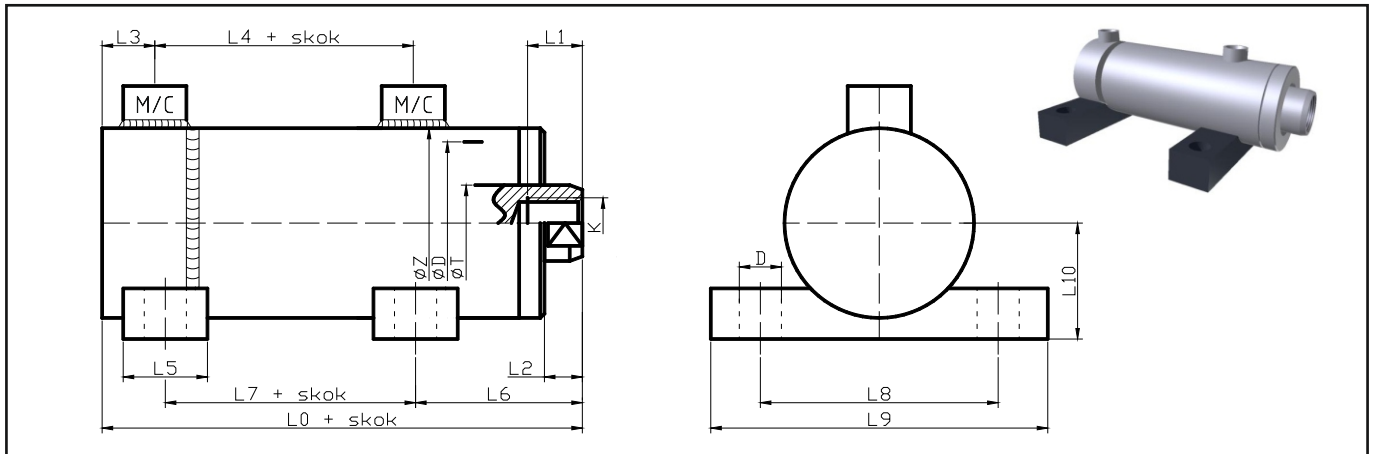


BR CHT-Ł(..)W - na łapach - gwint wewnętrzny



| ØD | ØT | ØZ | D | L0 | L1 | L2 | L3 | L4 | L5 | L6 | L7 | L8 | L9 | L10 | M [metr.] | C [cal.] | K |
|-----|-----|-----|----|-------|----|----|----|------|----|-----|-----|-----|-----|-----|-----------|----------|---------|
| 25 | 18 | 35 | 9 | 115 | 16 | 12 | 16 | 60 | 25 | 44 | 58 | 68 | 90 | 28 | M14x1,5 | G1/4" | M12x1,5 |
| 32 | 22 | 40 | 9 | 136,5 | 22 | 12 | 17 | 62,5 | 25 | 55 | 61 | 68 | 90 | 28 | M14x1,5 | G1/4" | M16x1,5 |
| 40 | 25 | 50 | 11 | 152 | 24 | 15 | 19 | 69 | 30 | 58 | 64 | 83 | 110 | 31 | M16x1,5 | G3/8" | M16x1,5 |
| | 28 | | | | | | | | | | | | | | | | |
| 50 | 28 | 60 | 14 | 158 | 30 | 15 | 19 | 72 | 35 | 62 | 73 | 102 | 130 | 38 | M16x1,5 | G3/8" | M22x1,5 |
| | 32 | | | | | | | | | | | | | | | | |
| 63 | 32 | 73 | 20 | 174 | 36 | 15 | 23 | 77,5 | 40 | 74 | 78 | 124 | 165 | 44 | M22x1,5 | G1/2" | M27x2 |
| | 36 | | | | | | | | | | | | | | | | |
| | 40 | | | | | | | | | | | | | | | | |
| 65 | 32 | 75 | 20 | 175 | 36 | 15 | 23 | 78,5 | 40 | 75 | 78 | 124 | 165 | 44 | M22x1,5 | G1/2" | M27x2 |
| | 36 | | | | | | | | | | | | | | | | |
| | 40 | | | | | | | | | | | | | | | | |
| 70 | 40 | 85 | 20 | 185 | 36 | 15 | 25 | 80 | 40 | 75 | 85 | 124 | 165 | 49 | M22x1,5 | G1/2" | M27x2 |
| 80 | 45 | 95 | 20 | 205 | 45 | 18 | 27 | 93 | 45 | 85 | 93 | 149 | 190 | 57 | M27x2 | G1/2" | M33x2 |
| | 50 | | | | | | | | | | | | | | | | |
| | 55 | | | | | | | | | | | | | | | | |
| 100 | 50 | 115 | 26 | 217 | 50 | 20 | 28 | 95 | 50 | 96 | 95 | 172 | 240 | 68 | M33x2 | G3/4" | M42x2 |
| | 55 | | | | | | | | | | | | | | | | |
| | 60 | | | | | | | | | | | | | | | | |
| | 70 | | | | | | | | | | | | | | | | |
| 125 | 70 | 150 | 26 | 236 | 63 | 23 | 30 | 109 | 60 | 108 | 97 | 205 | 255 | 85 | M33x2 | G3/4" | M48x2 |
| | 80 | | | | | | | | | | | | | | | | |
| 140 | 70 | 165 | 30 | 249 | 75 | 26 | 30 | 115 | 70 | 115 | 97 | 220 | 280 | 95 | M33x2 | G3/4" | M56x2 |
| | 80 | | | | | | | | | | | | | | | | |
| | 90 | | | | | | | | | | | | | | | | |
| 160 | 90 | 185 | 33 | 278 | 85 | 36 | 35 | 124 | 75 | 120 | 118 | 250 | 310 | 115 | M33x2 | G3/4" | M64x2 |
| | 100 | | | | | | | | | | | | | | | | |
| | 110 | | | | | | | | | | | | | | | | |
| 180 | 125 | 219 | 40 | 310 | 90 | 36 | 45 | 144 | 90 | 135 | 128 | 300 | 390 | 135 | M33x2 | G3/4" | M72x2 |

Siłowniki o wymiarach innych niż podane w tabeli, wg ustaleń z klientem.