



FIRMA PRODUKCYJNO-HANDLOWA  
**BRYDEX Sp. z o.o.**  
 34-123 Choczniowa ul. Kosciuszki 161A

Tel. 695761838  
 Tel. 695761836  
 Fax. 033 872-60-32

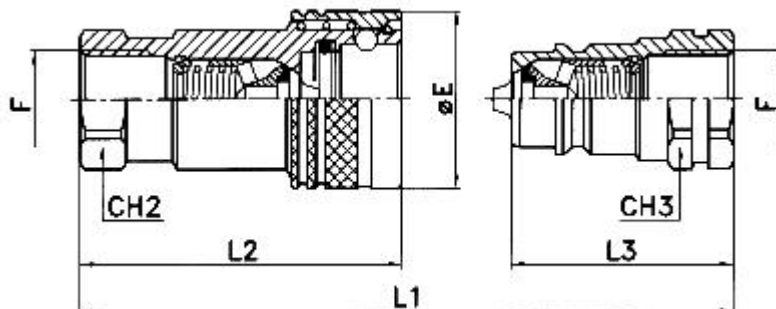
www.brydex.pl e-mail: k.burzynska@brydex.pl

## 14.1 SZYBKOZŁĄCZE GRZYBKOWE ISO A

Quick release coupling according to ISO A norm

### Typ: PAV 1 – ISO A

Type: PAV1 – ISO A



Kod: PAV ... 002 (F) / Kod: PAV ... 003 (M)

| Kod<br>Code   | Ø Przelotu<br>Ø Flow | F [BSP]  | CH2 | CH3 | Ø E | L1  | L2   | L3   |  |
|---------------|----------------------|----------|-----|-----|-----|-----|------|------|--|
| PAV1.0606.002 | 06                   | G 1/4    | 19  | 19  | 26  | 70  | 49   | 35   |  |
| PAV1.0606.003 |                      |          |     |     |     |     |      |      |  |
| PAV1.1010.002 | 10                   | G 3/8    | 22  | 22  | 30  | 85  | 60,5 | 42,5 |  |
| PAV1.1010.003 |                      |          |     |     |     |     |      |      |  |
| PAV1.1313.002 | 13                   | G 1/2    | 27  | 27  | 38  | 96  | 70   | 48   |  |
| PAV1.1313.003 |                      |          |     |     |     |     |      |      |  |
| PAV1.2019.002 | 20                   | G 3/4    | 34  | 34  | 45  | 114 | 84,5 | 57   |  |
| PAV1.2019.003 |                      |          |     |     |     |     |      |      |  |
| PAV1.2525.002 | 25                   | G 1      | 41  | 41  | 52  | 131 | 99   | 65,5 |  |
| PAV1.2525.003 |                      |          |     |     |     |     |      |      |  |
| PAV1.3031.002 | 30                   | G 1 1/4  | 50  | 50  | 70  | 150 | 117  | 75   |  |
| PAV1.3031.003 |                      |          |     |     |     |     |      |      |  |
| PAV1.3939.002 | 39                   | G 1 1/2  | 60  | 60  | 82  | 167 | 133  | 84   |  |
| PAV1.3939.003 |                      |          |     |     |     |     |      |      |  |
| PAV1.5051.002 | 50                   | G 2      | 75  | 75  | 99  | 216 | 169  | 108  |  |
| PAV1.5051.003 |                      |          |     |     |     |     |      |      |  |
| PAV1.1322.102 | 13                   | M 22X1,5 | 27  | 27  | 38  | 96  | 70   | 48   |  |
| PAV1.1322.103 |                      |          |     |     |     |     |      |      |  |